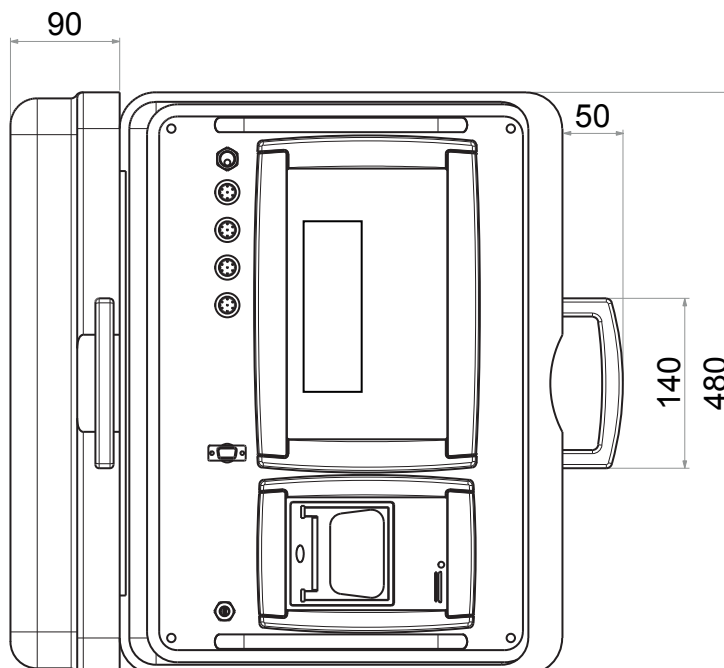
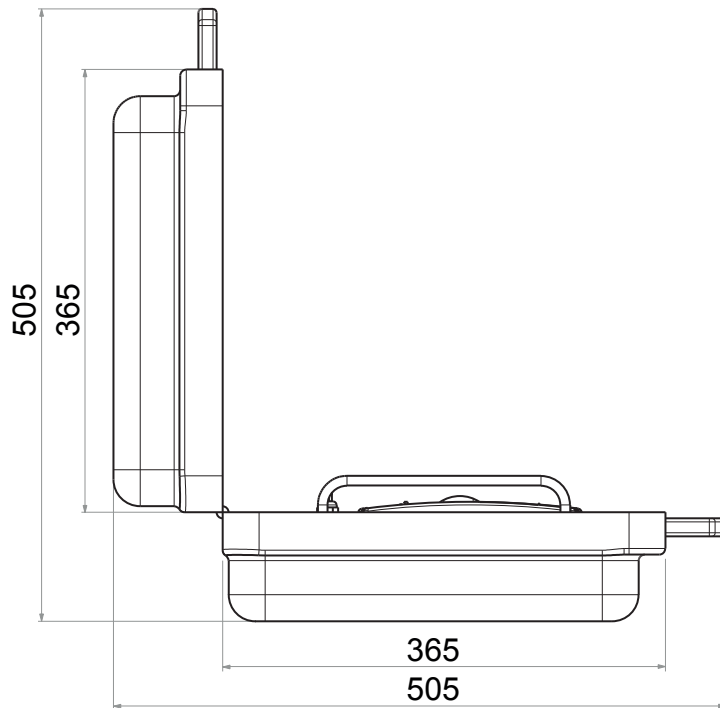


# DFWKRP



dimensions in mm